

Job Name/Location:

Tag #:

Date:

For:	File	Resubmit
	Approval	Other_____

PO No.:

Architect: \_\_\_\_\_ GC: \_\_\_\_\_

Engr: \_\_\_\_\_ Mech: \_\_\_\_\_

Rep: \_\_\_\_\_  
(Company) (Project Manager)

**LV181HV4**  
Single Zone Vertical Air Handler Unit  
Outdoor Unit (ODU) - LUU189HV Indoor Unit (IDU) - LVN181HV4



**Performance:**

**Cooling:**

Cooling (Min~Rated~Max, Btu/h)	7,200 ~ 18,000 ~ 24,000
SEER / EER	19.2/13.3

SEER - Seasonal Energy Efficiency Ratio EER - Energy Efficiency Ratio

**Heating:**

Heating (Min~Rated~Max, Btu/h)	8,000 ~ 20,000 ~ 24,000
HSPF	10.4

HSPF - Heating Seasonal Performance Factor

Cooling Nominal Test Conditions:

Indoor: 80°F DB / 67°F WB  
Outdoor: 95°F DB / 75°F WB

Heating Nominal Test Conditions:

Indoor: 70°F DB / 60°F WB  
Outdoor: 47°F DB / 43°F WB

**Electrical:**

Power Supply <sup>1</sup> (V/Hz/Ø)	208-230 / 60 / 1
------------------------------------	------------------

**Outdoor Unit:**

MOP (A)	30
MCA (A)	20
Cooling Rated Amps (A)	16.2
Compressor(A)	13.5
Fan Motor (IDU + ODU) (A)	1.1 + 1.6
Cooling Power Input (kW)	0.45 ~ 1.35 ~ 3.25
Heating Power Input (kW)	0.50 ~ 1.73 ~ 2.37

MOP - Maximum Overcurrent Protection

MCA - Minimum Circuit Ampacity

**Piping:**

Liquid Line (in., O.D.)	3/8
Vapor Line (in., O.D.)	5/8
Additional Refrigerant (oz./ft.)	0.43
Max. Pipe Length <sup>2</sup> (ft.)	6.6/164
Piping Length (no add'l refrig., ft.)	24.6
Max. Elevation (ft.)	98.4

**Features:**

- Hot start
- Inverter (variable speed fan)
- Auto restart
- Control lock
- W2 terminal connection
- Group control
- Timer (on/off)
- Sleep Mode
- Optional Wi-Fi Control
- Built in dry contact
- ECM (Electronically Commutated Motor) fan provides constant airflow regardless of permitted ESP (External Static Pressure)

**Optional Accessories:**

- MultiSITE™ CRC1 - PREMTBVC0
- MultiSITE CRC1+ - PREMTBVC1
- Thermostat Dry Contact- PDRYCB320
- RS3 Remote Controller- PREMTB100
- ACP 5 - PACP5A000
- Simple Controller - PREMTC00U
- Wi-Fi module with cable - PWFMD200
- Remote Button Temperature Sensor - ZRTBS01
- Low Ambient Kit (Cooling operation to -40°F)<sup>9</sup> PAG-HS6/PAG-HS7/PQCA0 -Without PQCA0 (Baffles only) Cooling to -4°F
- Base Pan Heater - PQSH1200
- Dry Contact Unit (1 contact, 24 VAC external power) - PDRYCB100
- Dry Contact Unit (2 setpoint) PDRYCB400
- Electric Heater 3kW - ANEH033B1<sup>10</sup>
- Downflow Conversion Kit - PNDFJ0

For a complete list of available accessories, contact your LG representative.  
For continual product development, LG reserves the right to change specifications without notice.  
© LG Electronics Canada, Inc., North York, ON. All rights reserved. "LG Life's Good" is a registered trademark of LG Corp. /www.lgdfs.ca

**Operating Range:**

**Outdoor Unit:**

Cooling (°F DB)	5 to 118
Heating (°F WB)	-4 to 64

**Indoor Unit:**

Cooling (°F WB)	57 to 77
Heating (°F DB)	59 to 81

**System Data:**

Refrigerant Type/Control	R410A/EEV
Refrigerant Charge (lbs.)	3.75
ODU Sound Pressure Max (Cool / Heat) ±1 dB(A) <sup>3</sup>	48/52
IDU Sound Pressure (H/M/L) ±1 dB(A) <sup>3</sup>	35 / 33 / 30
ODU Net Weight (lbs.)	129
ODU Shipping Weight (lbs.)	141
IDU Net Weight (lbs.)	123.5
IDU Shipping Weight (lbs.)	135.1

**Fan:**

ODU /IDU Fan Type	Propeller/Sirocco
Fan Speeds (Fan/Cool/Heat)	3/3/3
Fan Quantity (ODU + IDU)	1 + 1
Motor/Drive	Electronically Commutated Motor / Direct
Maximum ODU Air Volume (CFM)	2,048
IDU Air Volume Default (H/M/L) (CFM)	640 / 580 / 480
ESP Operating Range (in-wg)	0.1 - 0.9
Minimum IDU Air Flow Volume (CFM)	432
Maximum IDU Air Flow Volume (CFM)	704
Dehumidification Rate (pts/hr)	3.1

**Notes:**

1. Acceptable operating voltage: 187V-253V.
2. Piping lengths are equivalent.
3. Sound Pressure levels are tested in an anechoic chamber under ISO Standard 3745.
4. All power/communication cable to be minimum 14 American wire gage (AWG), 4-conductor, stranded, shielded or unshielded wire and must comply with applicable local and national code. If shielded, the wire must be grounded to the chassis at the outdoor unit only.
5. Power wiring cable size must comply with the applicable local and national code.
6. The indoor unit comes with a dry helium charge.
7. This data is rated 0 ft. above sea level, with 25 ft. of refrigerant line and a 0 ft. level difference between outdoor and indoor units.
8. Must follow installation instructions in the applicable LG installation manual.
9. If the optional low ambient wind baffle (ZLABGP04A) is used, one wind baffle is required for each ODU fan.
10. Electric heater accessory available in 3kW, 5kW, 8kW, and 10kW capacities. Refer to the engineering manual for details.
11. Controller not included.



SB\_SZ\_VAHU\_LV181HV4\_2019\_09\_11\_160234

# LUU189HV

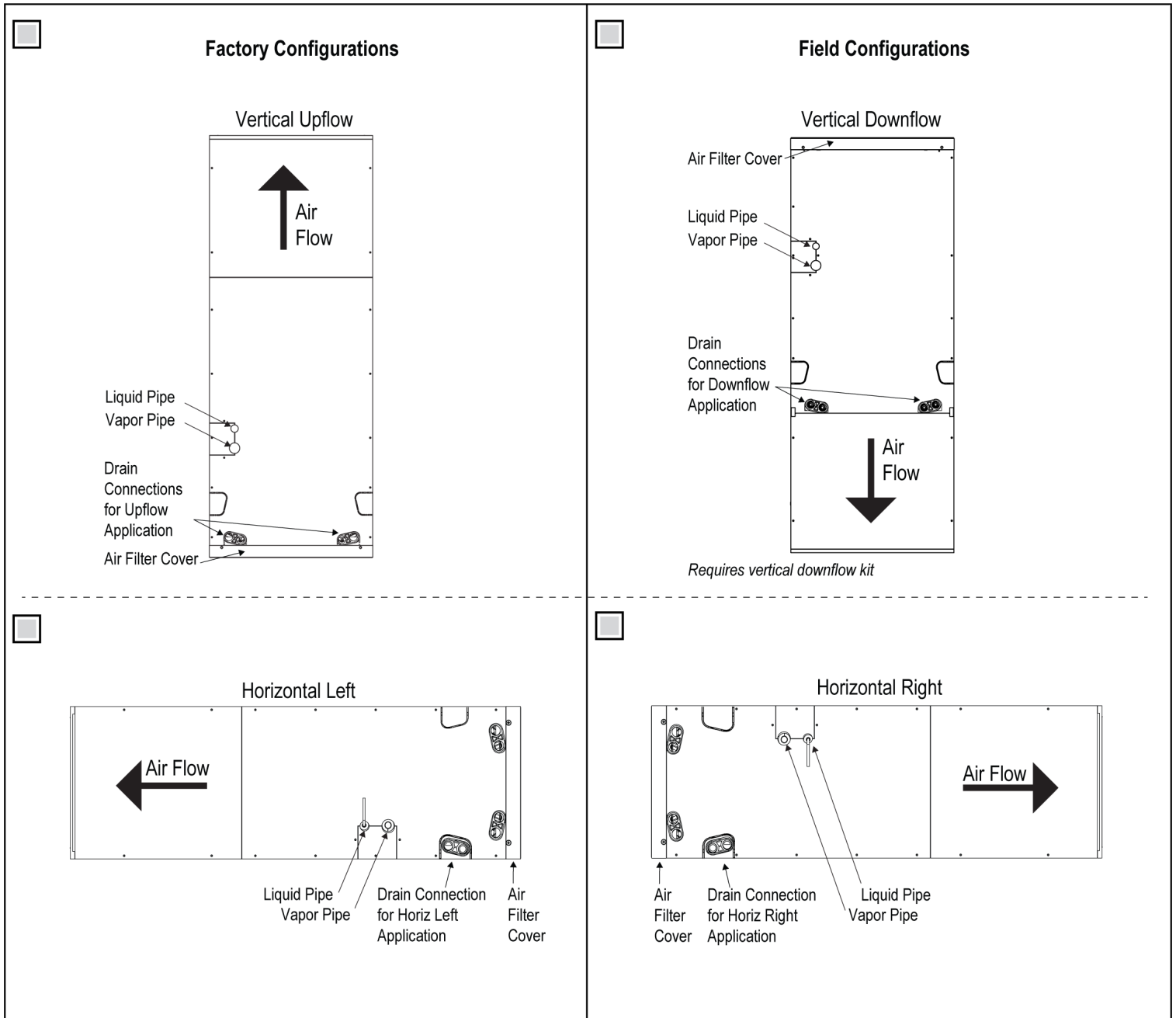
## Single Zone Vertical Air Handler Unit



Tag No.: \_\_\_\_\_

Date: \_\_\_\_\_

PO No.: \_\_\_\_\_



# LUU189HV

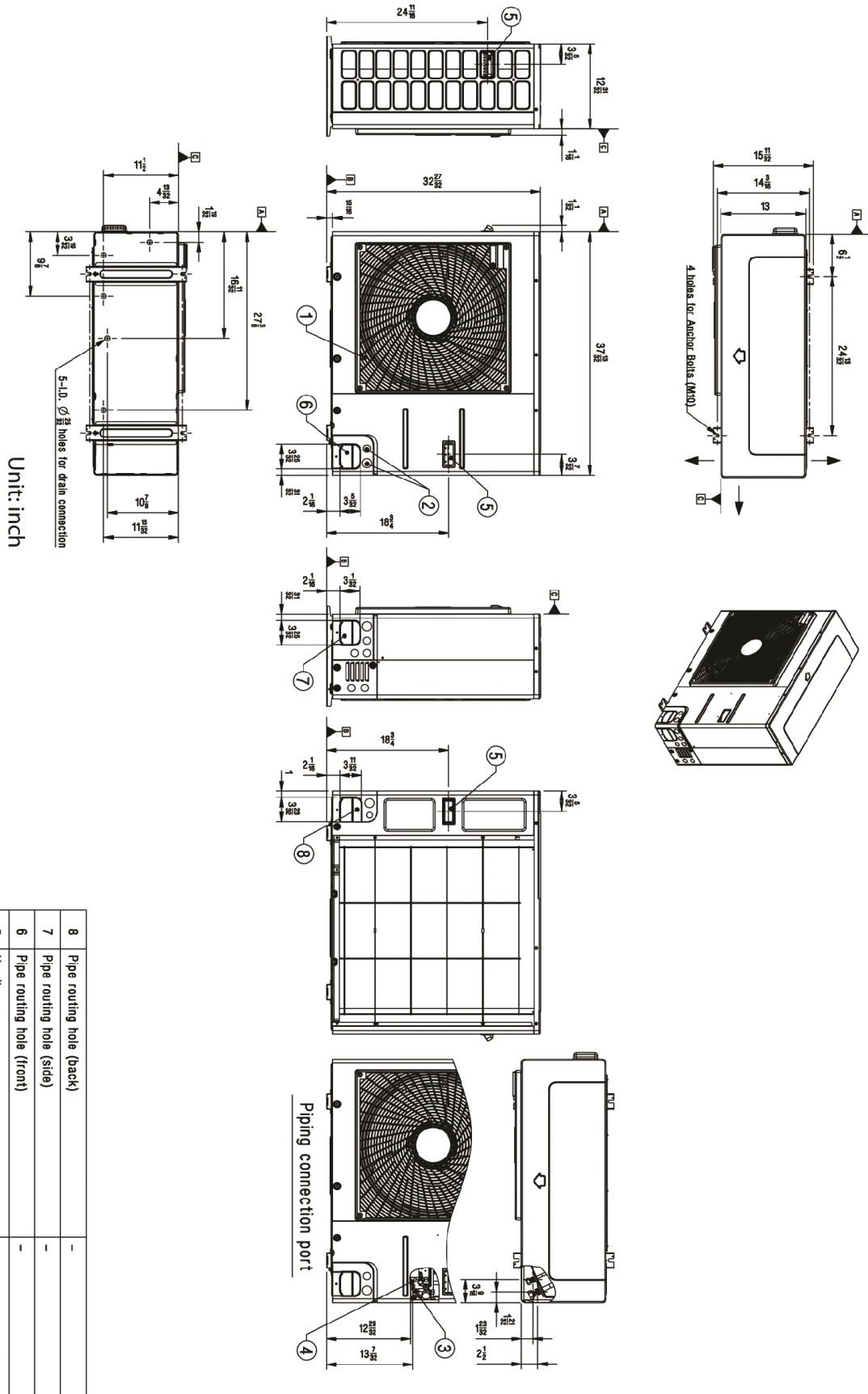
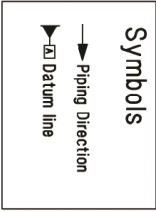
## Single Zone Vertical Air Handler Unit



Tag No.: \_\_\_\_\_

Date: \_\_\_\_\_

PO No.: \_\_\_\_\_



No.	Part Name	Description
8	Pipe routing hole (back)	-
7	Pipe routing hole (side)	-
6	Pipe routing hole (front)	-
5	Handle	-
4	Liquid Pipe Connection	Flare joint
3	Gas Pipe Connection	Flare joint
2	Power and communication cable Hole	-
1	Air Outlet	-

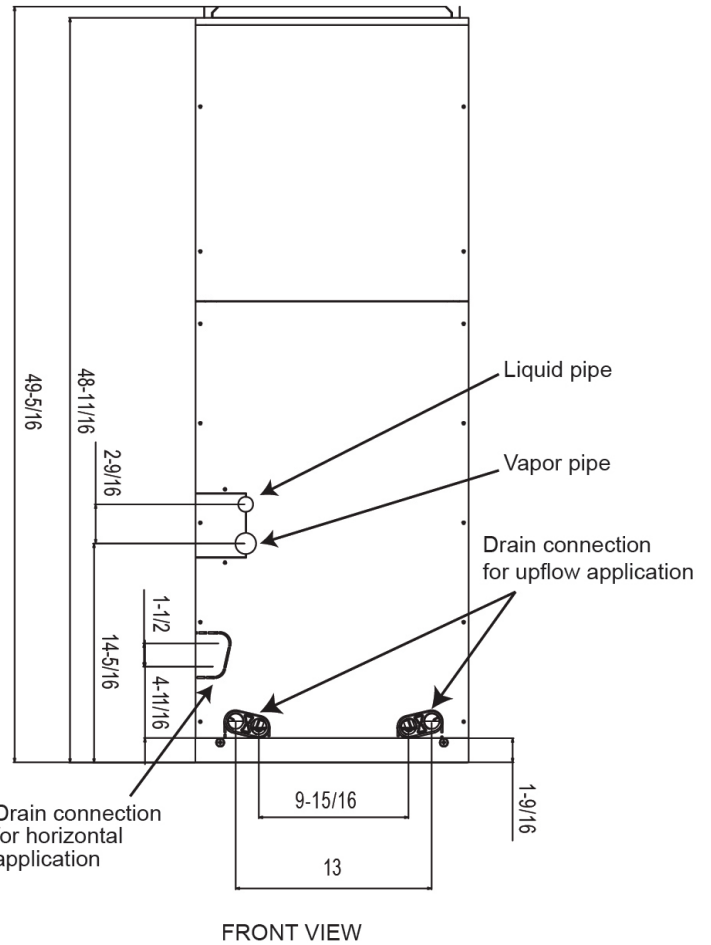
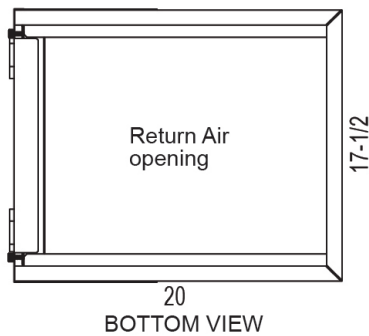
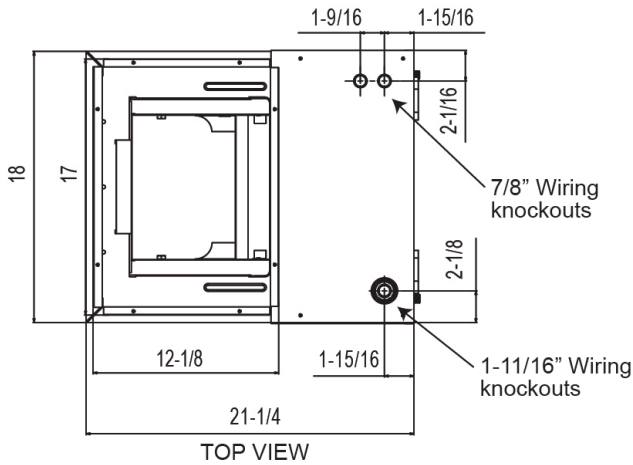
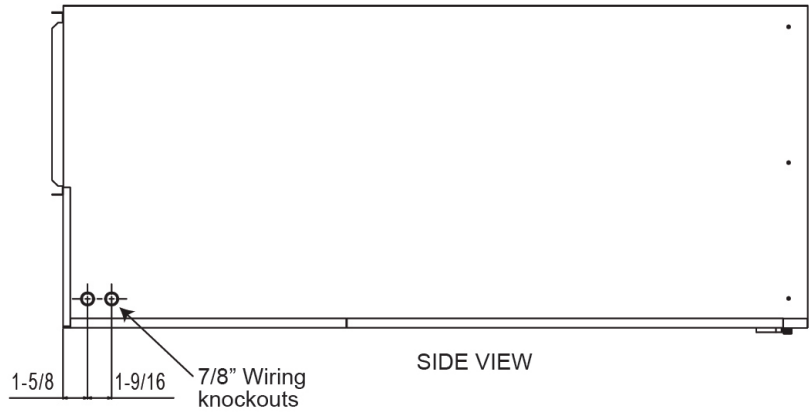
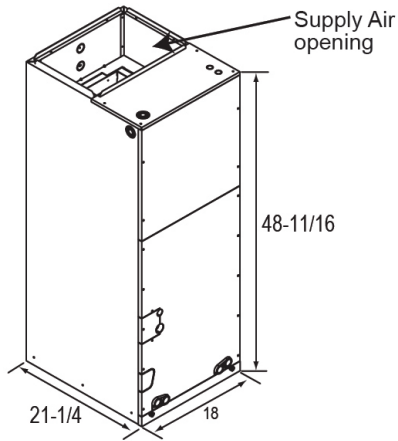
**LVN181HV4**  
Single Zone Vertical Air Handler Unit



Tag No.: \_\_\_\_\_

Date: \_\_\_\_\_

PO No.: \_\_\_\_\_



Unit: inches  
Note: All measurements have a tolerance of  $\pm 1/4$  in.